



PROGRAMME: ICP
CENTRE: POINT FORTIN GVC
COURSE: ELECTRICAL INSTALLATION
LEVEL # 1
INSTRUCTOR: MASLYN VERNE MENDEZ

INSTALLING ONE-WAY LIGHTING CIRCUIT

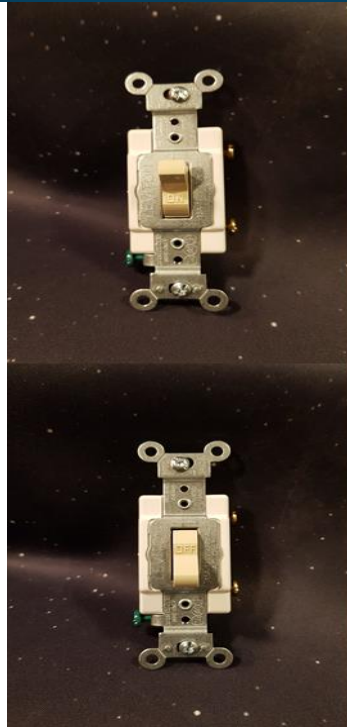
OBJECTIVES

At the end of this lesson, the students will be able to:

- Identify the different types of components used to wire a one-way surface-type lighting circuit.
- Identify the cables used to wire a surface-type one-way lighting circuit.
- List the materials required to wire a one-way surface-type lighting circuit.
- Wire a one-way surface-type lighting circuit.

SINGLE POLE SWITCH

- A single-pole switch is an electrical switch used to turn a light or device on and off from a single location.



SPST Switch
Front View



Contacts Closed

SPST Switch
Front View



Contacts Open



(Homebest, n.d.⁴)

LAMP HOLDER

WHAT IS A LAMP HOLDER

- A lamp holder is also known as a light socket or bulb holder.
- It is an electrical component designed to hold a light bulb in place, and it is connected to a single-pole switch.
- The single-pole switch is connected to the power source, allowing electricity to flow to illuminate the lamp.

TYPES OF LAMP HOLDER



MATERIAL REQUIRED TO WIRE THE ONE-WAY LIGHTING CIRCUIT SURFACE-TYPE

AMOUNT	DESCRIPTION
1	SURFACE-TYPE LAMP HOLDER
1	SURFACE TYPE SWITCH SINGLE POLE
1.5 YARDS	1.5MM ECC CABLE
10	SMALL WIRE CONNECTORS
1	4"*4" PVC JUNCTION BOX WITH COVER
6	1" GYPSUM SCREWA
1 ROLL	GREY ELECTRICAL TAPE
1 15'	EXTENSION CORD WITH PLUG ONLY
1 2'*2'	3/4" PLY WOOD
1	35 AMP EARTH LUG
12 15MM	CABLE CLIPS
1	60 WATTS BULB
18"	2.5MM EARTH SLEEVES

ELECTRICAL COMPONENTS



SURFACE TYPE
LAMP HOLDER



4"*4" PVC
JUNCTION BOX
WITH COVER



SINGLE POLE
SWITCH SURFACE
TYPE
(Homebest, n.d.)

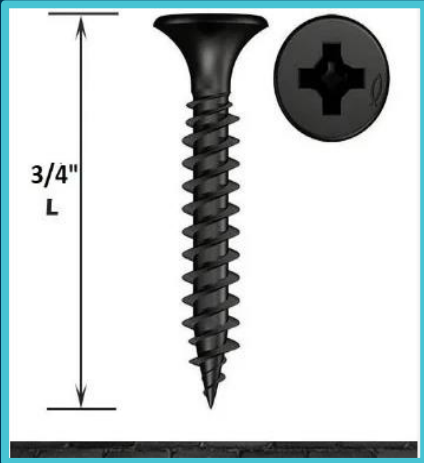


35AMP EARTH LUG



WIRE
CONNECTORS

ELECTRICAL COMPONENTS



3/4" GYPSUM
SCREWA



EXTENSION CORD



2'*2' *3/4 PLY WOOD



GREY ELECTRICAL
TAPE



1.5MM ECC CABLE

(Homebest, n.d.)

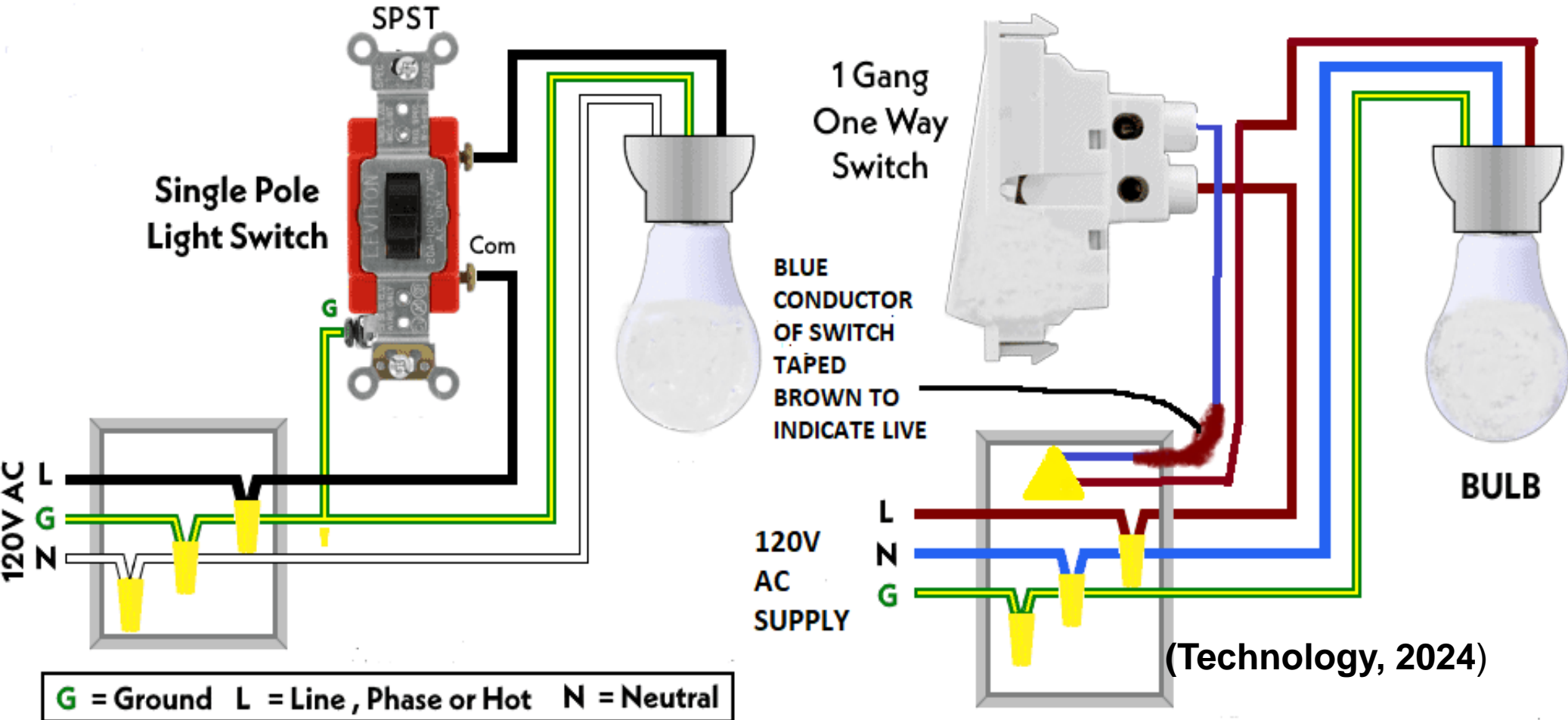
ELECTRICAL COMPONENTS



CABLE CLIPS

(Seolectric, n.d.)

WIRING DIAGRAM OF A ONE-WAY LIGHTING CIRCUIT



References

Homebest. (n.d.). *How to choose bulb lamp holders suitable for your market?* HomeBest manufacturer of extension sockets, wall switches and lamps in China · HBSocket. <https://www.hbsocket.com/blogs/how-to-choose-bulb-lamp-holders-suitable-for-your-market/>

Seolectric. (n.d.). *CCF1W 1mm flat twin & earth cable clips – 100 clips – White*. Selectric UK. <https://www.selectricuk.co.uk/products/wiring-accessories/selectric-power-cable-management/selectric-cable-clips/flat-cable-clips/1mm-flat-twin-earth-cable-clips-white/>

Technology, E. (2024, April 7). *How to control light using a single-pole switch? (1-way/2-Way)*. ELECTRICAL TECHNOLOGY. <https://www.electricaltechnology.org/2012/11/how-to-control-lamp-by-single-way-or.html>



Thank You